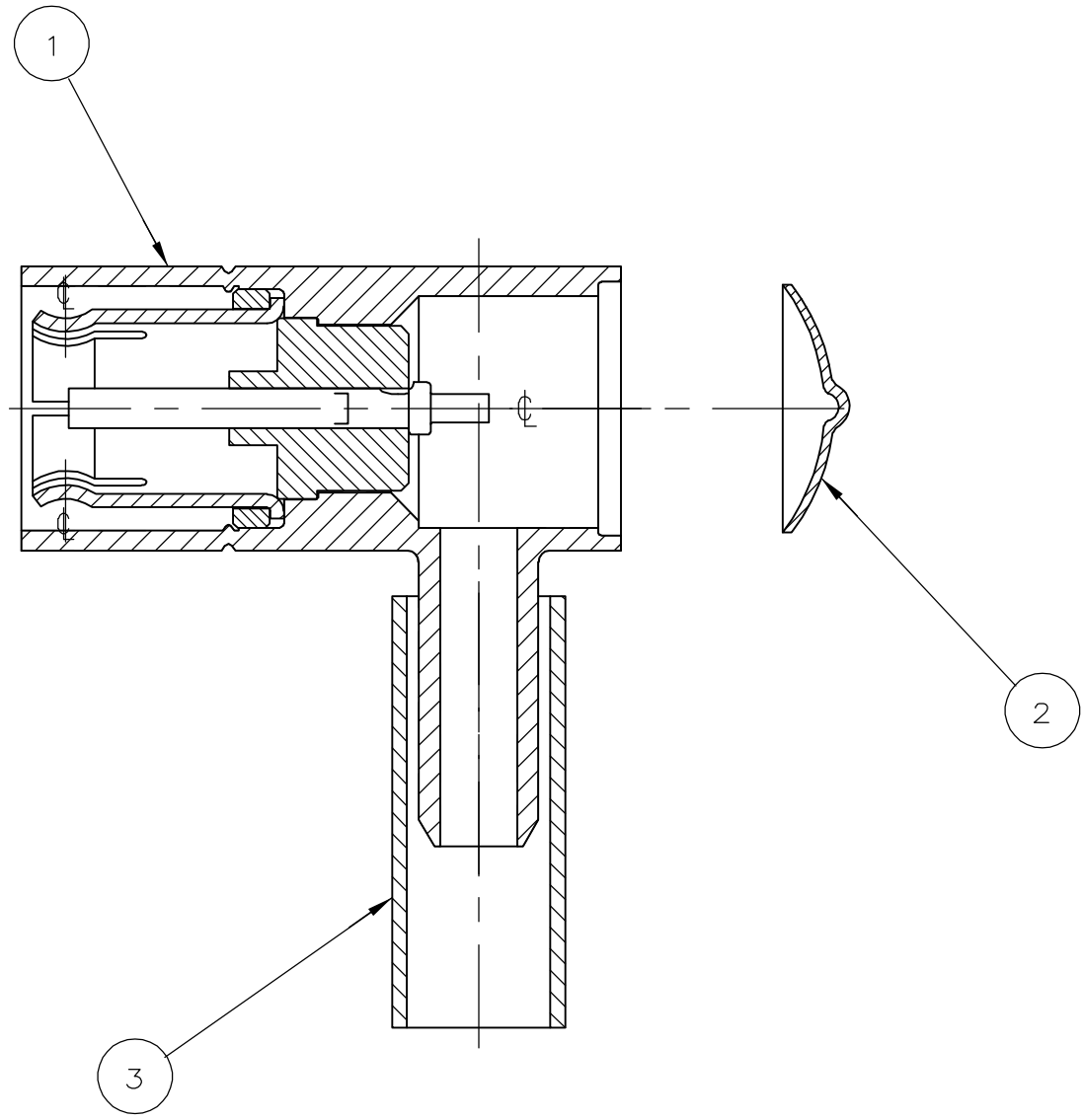


THIS DRAWING IS UNPUBLISHED. RELEASED FOR PUBLICATION  
 © COPYRIGHT BY TYCO ELECTRONICS CORPORATION. ALL RIGHTS RESERVED.

LOC	DIST	REVISIONS			
P	LTR	DESCRIPTION	DATE	DWN	APVD
AJ	17	F	REVISED PER EC OS14-0192-05	28FEB2006	KS JH

1. PARTS PACKAGED UNASSEMBLED.



1-413889-4	414013-3	415485-2	415484-3
1-413889-3	414013-3	415485-2	415484-2
1-413889-3	414013-3	415485-1	415484-1
③ FERRULE QTY=1	② END CAP QTY=1	① PLUG ASSY QTY=1	PART NUMBER

THIS DRAWING IS A CONTROLLED DOCUMENT.		DWN B. MOYER 18JUN96	<b>tyco</b> Tyco Electronics Corporation Harrisburg, PA 17105-3608												
DIMENSIONS: INCHES		CHK G. MICHAEL 19JUN96	NAME PLUG, RIGHT ANGLE, 75 Ohm, MINI-SMB												
TOLERANCES UNLESS OTHERWISE SPECIFIED:		APVD G. MICHAEL 19JUN96	PRODUCT SPEC												
<table border="0"> <tr><td>0 PLC</td><td>± -</td></tr> <tr><td>1 PLC</td><td>± -</td></tr> <tr><td>2 PLC</td><td>± -</td></tr> <tr><td>3 PLC</td><td>± -</td></tr> <tr><td>4 PLC</td><td>± -</td></tr> <tr><td>ANGLES</td><td>± -</td></tr> </table>		0 PLC	± -	1 PLC	± -	2 PLC	± -	3 PLC	± -	4 PLC	± -	ANGLES	± -	APPLICATION SPEC	
0 PLC	± -														
1 PLC	± -														
2 PLC	± -														
3 PLC	± -														
4 PLC	± -														
ANGLES	± -														
MATERIAL		WEIGHT	SIZE A3	CAGE CODE 00779											
FINISH		DRAWING NO C-415484		RESTRICTED TO											
CUSTOMER DRAWING			SCALE 6:1	SHEET 1 OF 1											
			REV F												